

A high performance fibreglass reinforced sleeve specifically designed for girth weld corrosion protection on pipes used in directional drilling applications.

Product description

DIRAX field-joint coating for directional drilling.

Construction: Three-layer system:

First layer: Liquid epoxy, solvent-free two-component.

Second layer: High shear strength copolymer adhesive.

Third layer: Thick, fibreglass reinforced, radiation cross-linked polyethylene.

Additional component: Wear Cone as extra protection against pull-through forces, of the same construction as the main sleeve.

The DIRAX system is a wrap-around heat-shrinkable sleeve reinforced with fibreglass. DIRAX is designed to protect girth welds against corrosion and is the optimum joint protection for PE and FBE coated pipes used in directional drilling applications. The reinforcement gives the backing greater wear resistance.

During installation, the epoxy is applied to the prepared pipe surface and the heat-shrinkable sleeve is immediately wrapped around the joint over the wet epoxy. Heat is then applied to the sleeve, which shrinks to form a tight fit around the joint. While curing, the epoxy forms strong mechanical and chemical bonds to the pipe surface & to the copolymer adhesive layer. The radiation cross-linked outer layer forms a tough barrier against mechanical damage and moisture transmission. A wear cone is then applied over the leading edge of the sleeve.

Note: Dirax is not suitable for "Push Through" applications.

Product features/benefits

- **Highly resistant to shear and peel forces induced by soil and thermal movements**
The DIRAX is tough!
- **DIRAX offers abrasion and wear resistance at pull-through comparable to mill coatings**
Provides a monolithic coating system.
- **Wear cone protects leading edge of sleeve against pull-through forces**
Provides additional strength and security---increases reliability.
- **Sleeve applied over wet epoxy---there are no curing or waiting times / formation of strong mechanical & chemical bonds**
Allows fast application---saves time!
Ensures high performance!
- **Superior cathodic disbondment and hot water immersion resistance**
Offers the optimum barrier protection against corrosion.
- **Pre-attached closure patch**
Allows fast and easy application.
- **Low preheat requirements**
Makes installation faster and saves time.

Product selection guide

	DIRAX
Max operating temperature	60°C (140°F)
Compatible line coatings	PE, FBE
Min preheat temperature	70°C (158°F)
Recommended pipe preparation	SA 2½
Soil stress restrictions	None
Performance	EN 12068 Class C60

Product thickness

	Unit
Backing (as supplied)	1.85 mm (0.073 in.)
Backing (fully free recovered)	2.3 mm (0.091 in.)
Adhesive (as supplied)	1.2 mm (0.047 in.)
Wear cone (incl. coating) (as supplied)	3.05 mm (0.12 in.)

Product properties: DIRAX

Property	Test method	Typical Value
Backing		
Bursting strength	DIN 30672	2350 N
Adhesive		
Softening point	ASTM E-28	94°C (201°F)
Lap shear	ASTM D-1002	528 psi
Lap shear	EN 12068 @ 10mm /minute	0.40 N/mm ² @ 60°C
Sleeve		
Peel to steel	ASTM D-1000	104 pli
	EN 12068 @ 10mm / minute	14 N/mm
Specific coating resistance	DIN 30672, 100 days immersion	6 X 10 ⁸ Ωm ²
Impact resistance	ASTM G 14	170 in.lbs
	EN 12068, Class C	Pass 15 J, No holidays @ 20 KV
Penetration resistance	ASTM G -17	Pass
	EN 12068, Class C60	3.1 mm @ 60°C
Cathodic disbondment	ASTM G-8, 30 days	0.170 inches (4.33 mm)
	EN 12068, 30 days	0 mm @ 60°C

*Remaining coating thickness

Product properties: DIRAX (2)

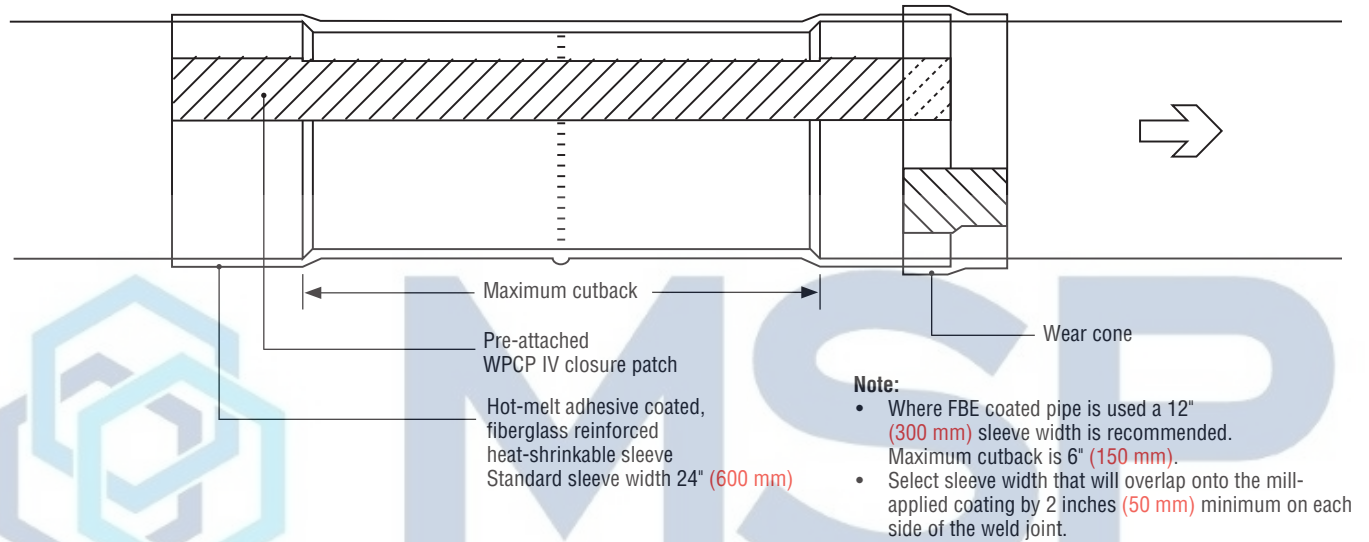
Property	Test method	Typical Value
Chemical Resistance followed by Bursting Strength	ASTMD-1693/ISO 175	Reduction in Bursting Strength < 25 % of the Original Value
Chemical Resistance Conducted for 168 hrs in 0.1N NaCl, 0.1NH ₂ SO ₄ , 0.1NaOH		
Resistance to UV radiation followed by Bursting Strength	ASTMD-2565/EN12068	Reduction in Bursting Strength < 25 % of the Original Value

Ordering information

DIRAX type products are available:

- as a kit, containing:
 - a Uni-sleeve (pre-cut sleeve with pre-attached closure patch)
 - a wear cone (also pre-cut with pre-attached closure patch)

Dirax is installed with S1239, S1301-M 2 and S1401 component epoxy primer which has to be ordered separately.



Note:

- Where FBE coated pipe is used a 12" (300 mm) sleeve width is recommended. Maximum cutback is 6" (150 mm).
- Select sleeve width that will overlap onto the mill-applied coating by 2 inches (50 mm) minimum on each side of the weld joint.

Example: DIRAX-16000-24/1K

		Standard Ordering options
16000	Outside pipe diameter in mils	3.500" – 48.000" (DN80 – DN1200)
24	Sleeve width in inches	12" (300 mm) ⁽¹⁾ , 17" (430 mm) ⁽¹⁾ , 24" (600 mm) ⁽¹⁾ , 34" (863 mm) ⁽¹⁾
/1K	Number of primer kits required	1, 2 or 3 S1239 kits according to size (to be ordered separately)
	Wear cone	Width 3" = 3.125" (80 mm) (Included)

⁽¹⁾ Nominal width

For proper product selection, see latest application table AT-DIRAX.

DS-DIRAX-REV11-NOV10 - LEXPS-0047



The leading global partner in protecting the integrity of critical infrastructure.

Berry Plastics warrants that the product(s) represented within conform(s) to its/their chemical and physical description and is appropriate for the use as stated on the respective technical data sheet when used in compliance with Berry Plastics written instructions. Since many installation factors are beyond the control of Berry Plastics, the user is obligated to determine the suitability of the products for the intended use and assume all risks and liabilities in connection herewith. Berry Plastics liability is stated in the standard terms and conditions of sale. Berry Plastics makes no other warranty either expressed or implied. All information contained in the respective technical data sheet(s) should be used as a guide and is subject to change without notice. This document supersedes all previous revisions. Please see revision date on the right.

Local Distributor / Representative:



For contact details of local Distributors / Representatives
Please visit www.berrycpg.com.

Headquarters
Franklin, MA, USA
Tel: +1 508 918 1714
US Toll Free: +1 800 248 0149
Fax: +1 508 918 1910
CPG@berrypastics.com

Houston, TX, USA
Tel: +1 713 676 0085
US Toll Free: +1 888 676 7202
Fax: +1 713 676 0086
CPGH@berrypastics.com

Tijuana, Mexico
Tel USA +1 858 633 9797
Fax US: +1 858 633 9740
Tel Mexico: +52 664 647 4397
Fax Mexico: +52 664 607 9105
CPGTJ@berrypastics.com

Westerlo, Belgium
Tel. +32 14 722500
Fax +32 14 722570
CPGE@berrypastics.com

Baroda, India
Tel: +91 2667 264721
Fax: +91 2667 264724
CPGIN@berrypastics.com